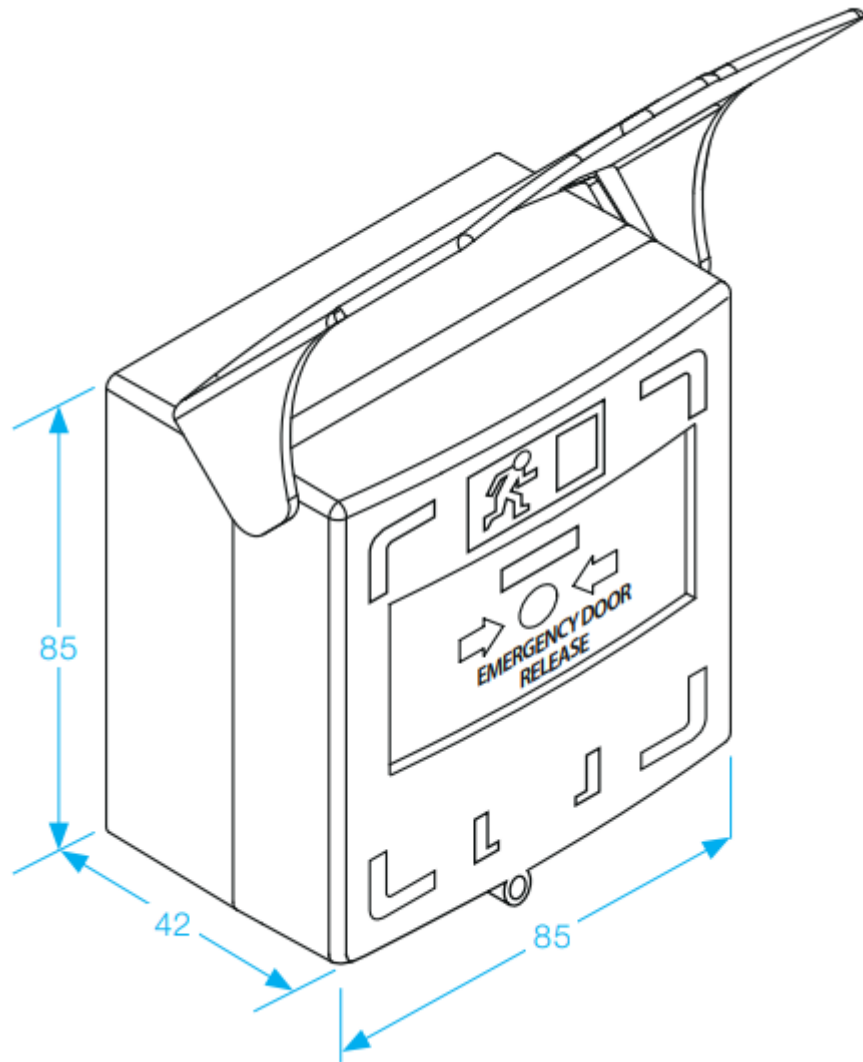
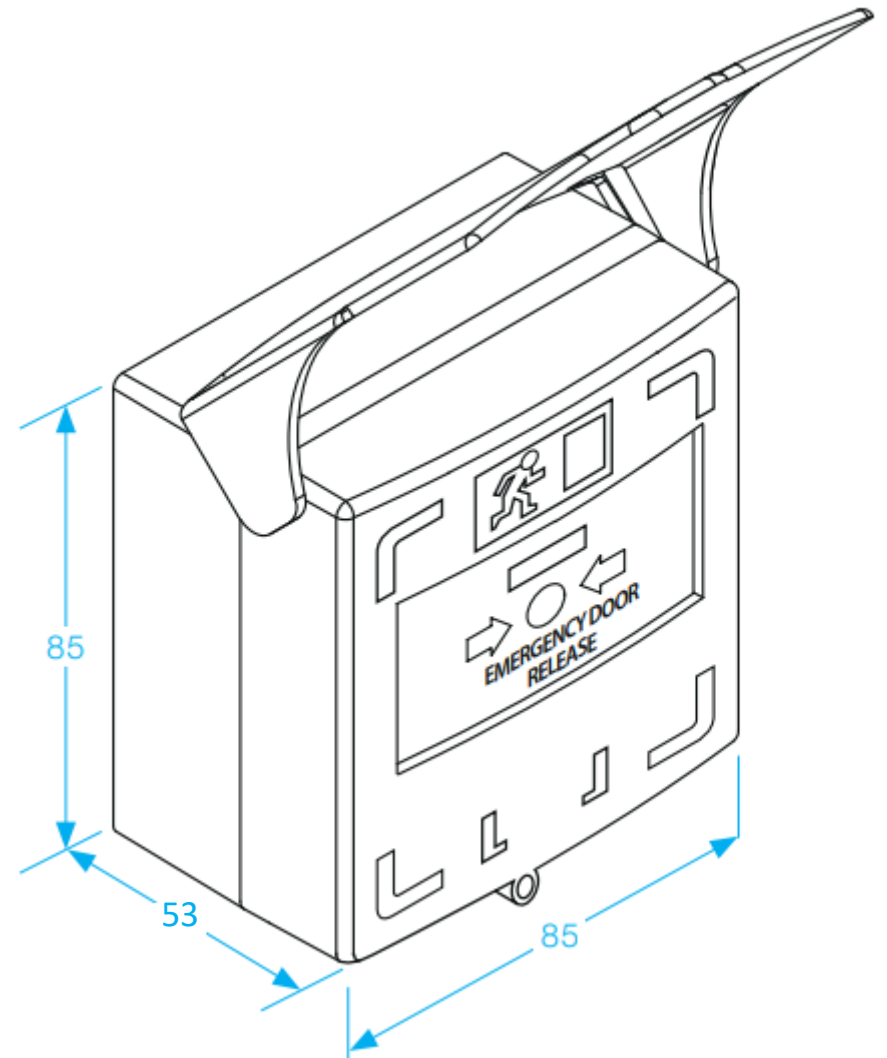


# MCP-110 BACK BOX SIZES



**BACK BOX 1**



**BACK BOX 2**