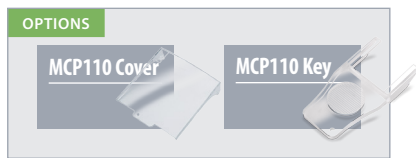


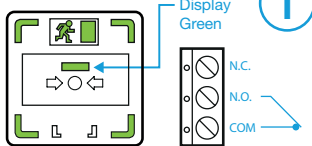
MCP-110

Resettable Illuminated Call Point with Sounder

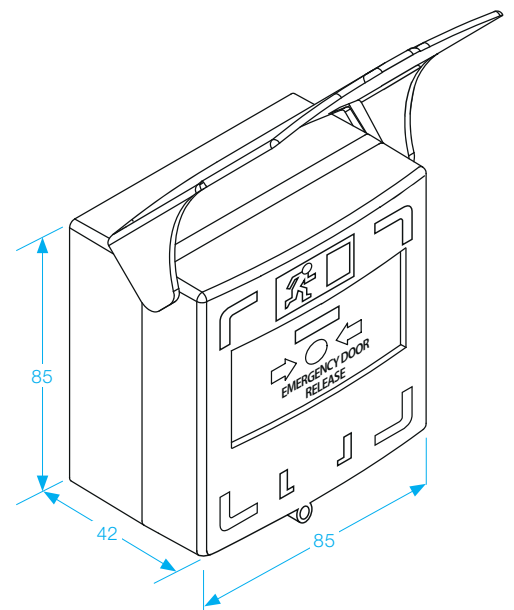
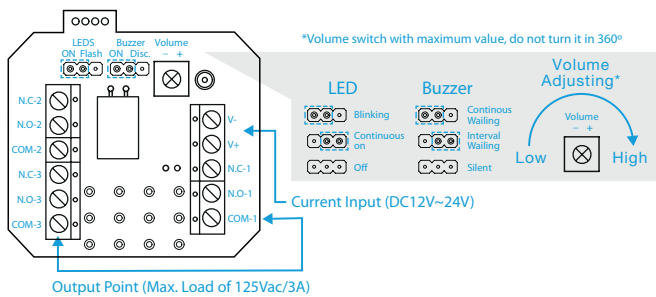
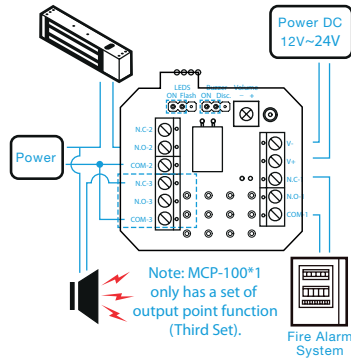
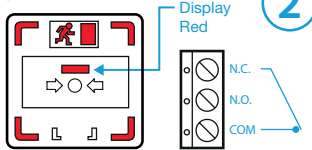
- Operating voltage 12~24Vdc
- Green plastic
- Resettable
- Adjustable sounder
- Adjustable LED
- Triple pole



Standby



Operation



SPECIFICATION

- COM / NO / NC Change-over-contacts x 2
- Contact resistance 150m
- Contact resistance 3A @125V~